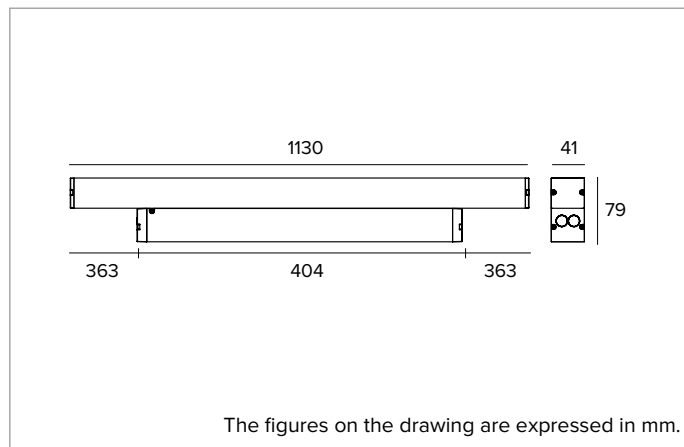


1T6794EL | JEDI COMPACT Indoor

Adjustable linear LED projector



		4000K	H(m)	D1(m)	D2(m)	E _{max} (lx)
		Ra90	28°	78°		
Fixture Power	53W	1	0.55	1.70	4271	
Source Flux	6360lm	2	1.11	3.40	1068	
Fixture Flux	4783lm	3	1.66	5.10	475	
Efficacy	90lm/W	4	2.22	6.79	267	
TS1083	I _{max} =774cd/klm	I _{max}	4922cd	5	2.77	8.49



SOURCE

High Power Ra90 linear LED board.

Energy efficiency class: E

Nominal power: 48W

Nominal flux: 6360lm

Colour rendering index: 90

Rf: 89.8

Rg: 98.7

CCT nominal: 4000K

SDCM: 3

Lifetime (L80/B10): >50000h tq +25°C

ILLUMINOTECHNICAL CHARACTERISTICS

Internal optical system composed of a primary cylindrical glass lens, a high reflectance anodised aluminium reflector and an integrated holographic filter. Wall Washer version.

Optic: WALL WASHER

Beam angles: WW

Optical efficiency: 75%

Fixture flux: 4783lm

Luminous efficacy: 90lm/W

Photobiological safety: Compliant with RG1 low risk group

MECHANICAL CHARACTERISTICS

Extruded anodised aluminium 15µ body. 1.8mm thick polycarbonate removable (to insert accessories) flat screen. Removable driver box. The body of the fixture is adjustable and can be installed away from the mounting surface using accessory brackets.

Colour and finish: Aluminium

Dimensions: L=1130mm

Weight: 2.05Kg

Version: INTEGRATED-REMOVABLE DRIVER

Degree of protection: IP40

ELECTRICAL CHARACTERISTICS

Integrated/detachable driver. Complete with electronic ON-OFF power supply, pre-cabled with a 1 metre 3x0.75mm² cable. The driver can be removed and placed in another position while remaining connected (cable 0.5m). Luminaire compliant with EN 60598-2-22 for power supply from a centralised emergency system CPSS (Central Power Supply System), not incorporated in the luminaire - high risk areas excluded. The default power and flux are 100% in AC and 100% in DC.

Fixture Power: 53W

Power supply: 220-240Vac 50/60Hz

Insulation Class: CLASS 1

Type of driver / Control: ON-OFF

Driver included: YES

Class F: YES

SAFE FLICKER: PstLM=<1 and SVM=<0.4 (IEC TR 61547-1 and IEC TR 63158), to ensure a more comfortable and safe light

Ambient temperature: 0°C / +25°C

INSTALLATION

To be completed with stainless steel fixed or adjustable brackets.

NOTES

Anti-glare grid available for all versions.

WARRANTY

5 years.

WARNING

Luminaire designed for disposal/recycling at end-of-life. Replaceable (LED only) light source by a professional. Replaceable control gear by a professional.

Due to the technological evolution of the electronic components, the data provided may be updated, and as such, confirmation must be requested during the order process.

Luminous flux and power supply have +/-10% tolerances with respect to the indicated value. tq +25°C (CIE 121).

We reserve the right to make technical changes.

Targetti Sankey S.r.l.
Via Pratese, 164
50145 Firenze - Italy
Tel: +39 055 37911
targetti.com
targetti@targetti.com

CCIAA Firenze
Share Capital:
€ 500.000,00
VAT N. (IT):
01537660480
R.E.A: FI-275656

TARGETTI

1T6794EL | JEDI COMPACT Indoor Adjustable linear LED projector

Related codes

Bracket

Code
1T6940

Long bracket kit for surface installation (2 pieces).
Rotation +/-145°.

H mm	Code
52	1T6800

Medium bracket kit for surface installation (2 pieces).
Integrated driver version.
Rotation +/-90°.

Accessories

Grid

L mm	Code
278	1T6796

Asymmetrical anti-glare grid.
Installation inside the product.
For Wall Washer versions.

To be ordered in the following quantities for every fixture length: 1 for the 289mm version, 2 for the 570mm version, 3 for the 850mm version and 4 for the 1130mm version.

Bracket

Code
1T6806

Bracket kit for surface installation of the driver box (2 pieces).
Snap brackets.

Due to the technological evolution of the electronic components, the data provided may be updated, and as such, confirmation must be requested during the order process.

Luminous flux and power supply have +/-10% tolerances with respect to the indicated value. tq +25°C (CIE 121).

We reserve the right to make technical changes.

Targetti Sankey S.r.l.
Via Pratese, 164
50145 Firenze - Italy
Tel: +39 055 37911
targetti.com
targetti@targetti.com

CCIAA Firenze
Share Capital:
€ 500.000,00
VAT N. (IT):
01537660480
R.E.A: FI-275656

TARGETTI